

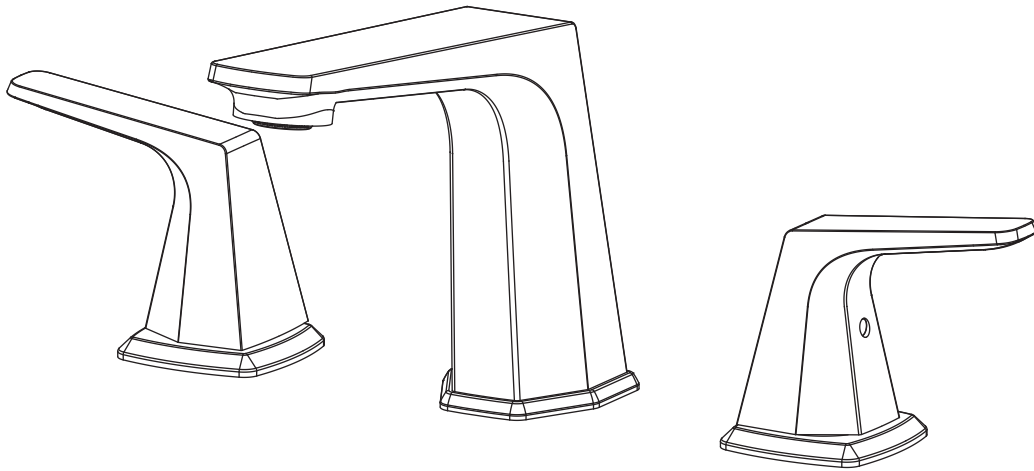


ANZZI®

ITEM: L-AZ 905**

2 TONE LAVATORY FAUCET
INSTALLATION & OPERATION MANUAL

V1.0
10/30/2022



**DON'T WAIT!
REGISTER NOW!**

Register your product within 90 days to ensure your product is recognized as an official purchase and is eligible for warranty coverage.

Mail in the completed registry card (Pg. 2) or register online at www.swcorp.com/register.



PRODUCT REGISTRATION*

IMPORTANT: YOUR WARRANTY WILL NOT BE RECOGNIZED UNLESS THIS CARD IS FULLY COMPLETED AND RETURNED OR ONLINE REGISTRATION IS COMPLETED.

To ensure that your warranty is registered and confirmed please do one of the following:

1. **Register online at www.swcorp.com/register.** You will be asked to fill out the same information you would in the registration card. Registering online is fast, secure and ensures we receive your information.
2. **Complete, cut out and mail the registration card below.** By returning this registration card we confirm the date of purchase for your new product. This confirmation will allow us to process any warranty claims.

Mail the card to: 5701 NW 35 Avenue, Miami, FL 33142



Product Registration Card

Name..... Address

City..... State..... Zip.....

Phone Email.....

Date of Purchase Order or Purchase # SKU or Model #

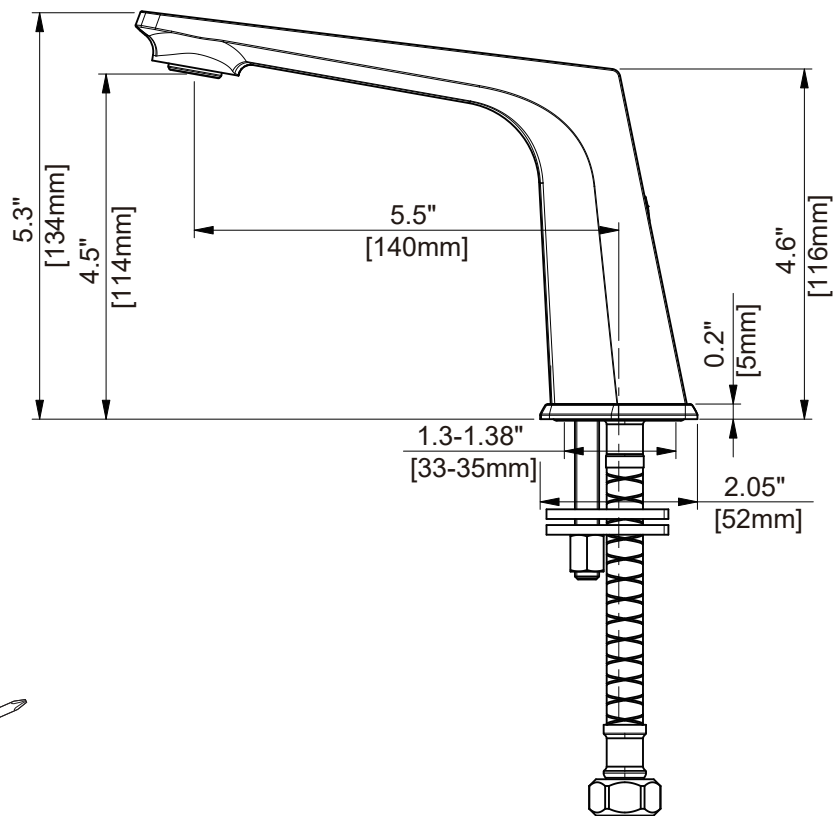
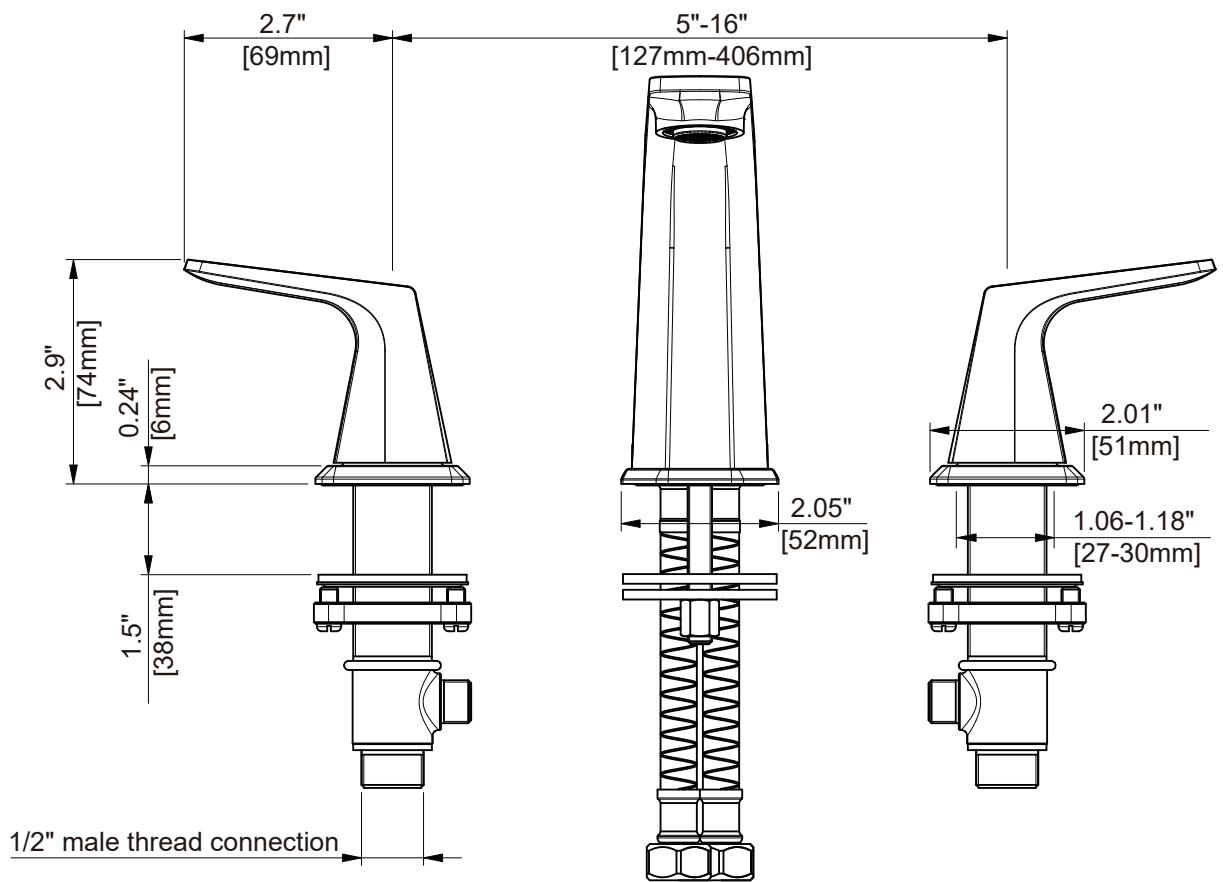
Installer's NamePhone

I have read the Owner's Manual carefully and understand and agree that any installation, operation or maintenance of the product must be done strictly in accordance with instructions and guidelines contained in the owner's manual and installation guide.

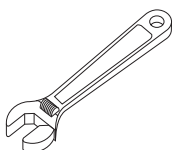
Signature..... Date.....

Need help? For technical support call 305-614-4070 or visit us at www.ANZZI.com

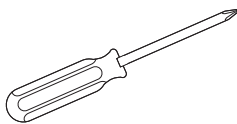
PRODUCT SIZE CHART



TOOLS

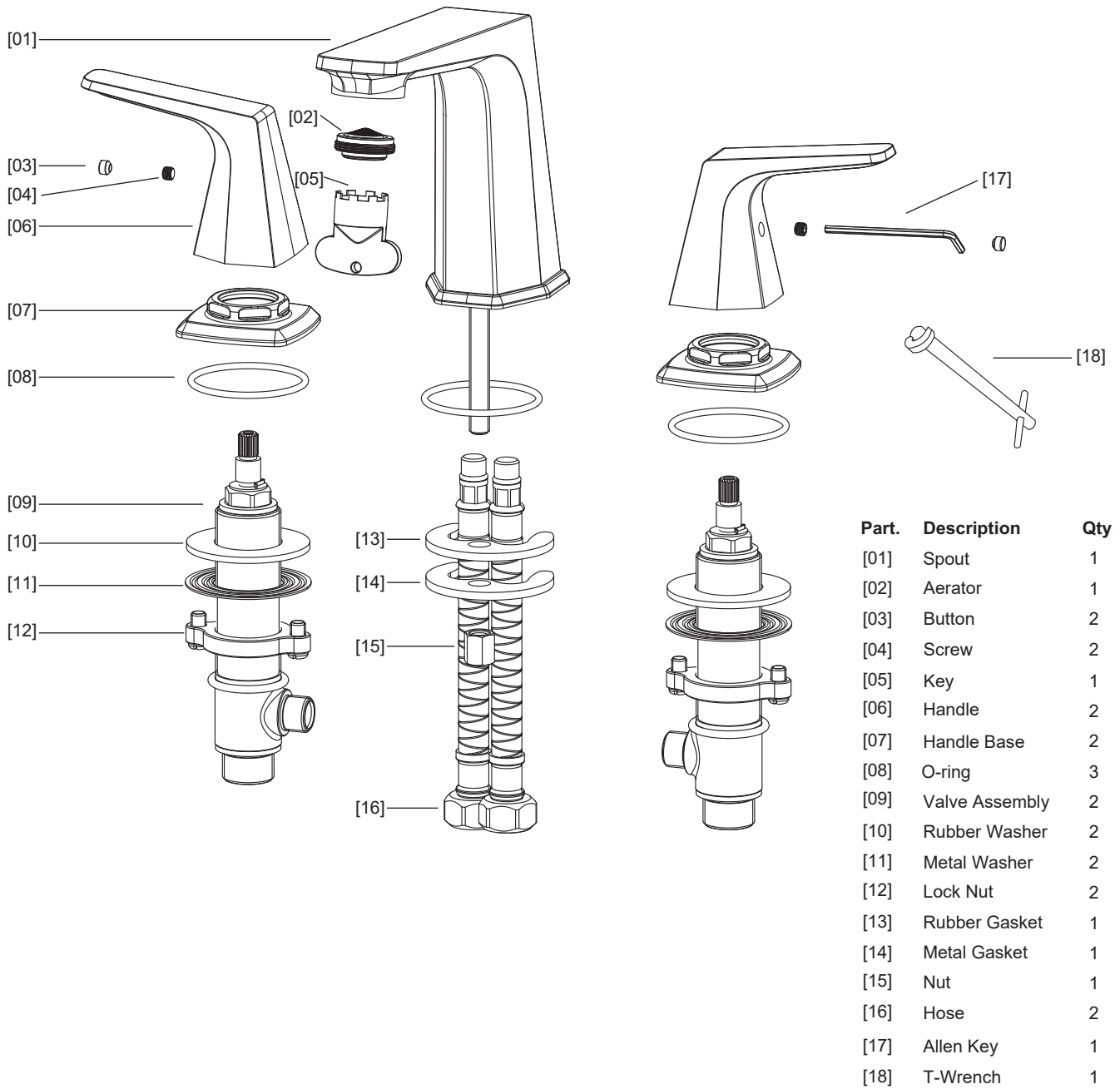


Wrench



Screwdriver

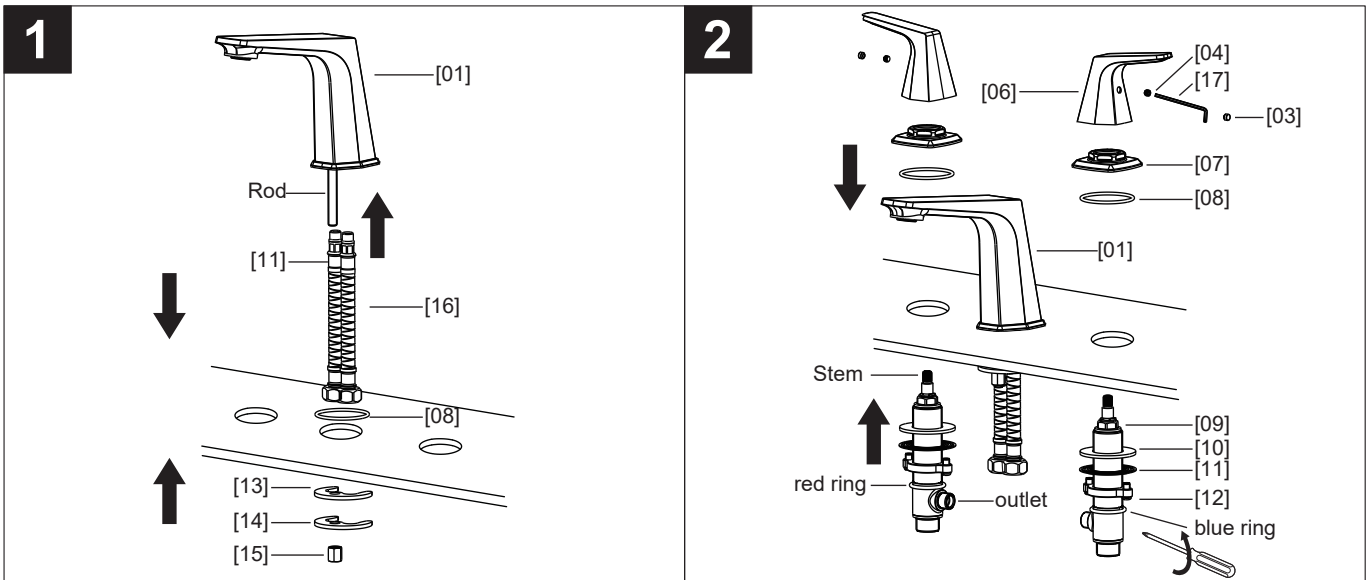
COMPONENTS



Before installation:

1. Please make sure that all components have been included.
2. Ensure that all supply lines are free of debris with supply stops installed.
3. Ensure water pressure is between 20-125 PSI.
4. If you are having difficulties with installation, please contact a professional plumber.

INSTALLATION



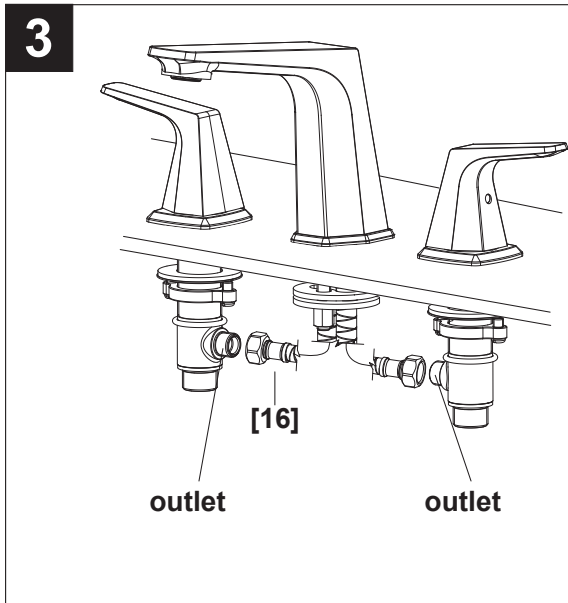
STEP 1:

1. Remove **Rubber Gasket [13]**, **Metal Gasket [14]** and **Lock Nut [15]** from **Spout [01]**.
2. Install **Hoses [16]** to the screw holes at the bottom of the **Spout [01]** and tighten the **Hoses [16]** to secure.
3. Slide **Hoses [16]** through **O-Ring [08]**, then install **Spout [01]** with **O-Ring [08]** in faucet hole. Adjust the **Spout [01]**.
4. Slide **Rubber Gasket [13]** and **Metal Gasket [14]** up onto the **Rod** of **Spout [01]** under sink and secure with **Nut [15]**. Start by hand tightening the **Nut [15]** first and finish tightening with **T-Wrench [18]** to secure.

STEP 2:

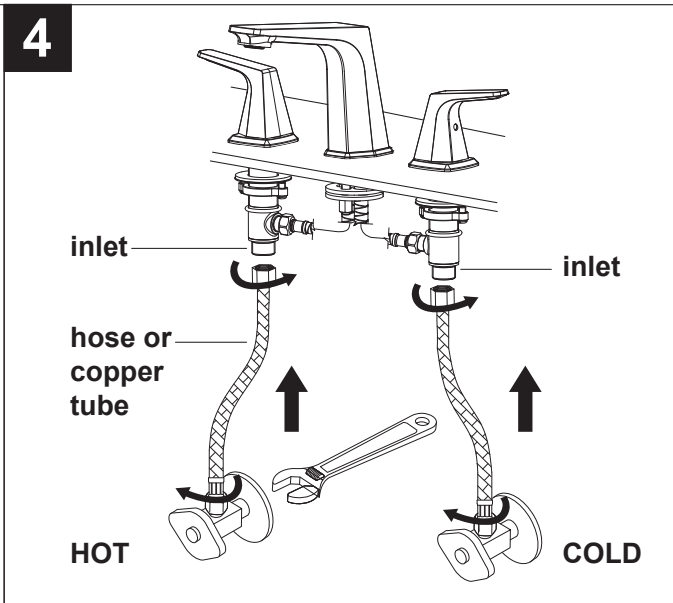
1. Slide the **Valve Assembly [09]** with **Rubber Washer [10]**, **Metal Washer [11]** and **Lock Nut [12]** up through the faucet hole from underneath the sink.
Note: The **Valve Assembly [09]** with red ring should be installed on the left. The other on the right.
2. Place the **O-Ring [08]** over the **Valve Assembly [09]** on top of the sink, then install the **Handle Base [07]** to the **Valve Assembly [09]** over the **O-Ring [08]**. Tighten the **Handle Base [07]** to secure.
3. Adjust each **Valve Assembly [09]** so its outlet is pointing at the **Spout [01]**. Then install the **Handle [06]** to the stem of the **Valve Assembly [09]**.
4. Turn the left **Handle [06]** clockwise and the right **Handle [06]** counter-clockwise until they stop. If the **Handle [06]** doesn't align with the **Handle Base [07]** properly, pull up the **Handle [06]**, turn it to the correct position and install **Handle [06]** again. If the **Handle [06]** is still misaligned, unscrew the **Handle Base [07]** a little bit to align with the **Handle [06]**.
5. Make sure the left **Handle [06]** can't be turned in clockwise and the right **Handle [06]** can't be turned in counter-clockwise again. Then, adjust the **Valve Assembly [09]** so that the **Handles [06]** are level and the outlets point to the **Spout [01]**. Hand tighten the **Lock Nuts [12]** and tighten the screws with a screwdriver to secure. Turn the **Handles [06]** to make sure they move smoothly.
6. Secure the **Handles [06]** by tightening **Screws [04]** with **Allen Key [17]** and cover **Screws [04]** with **Buttons [03]**.

INSTALLATION



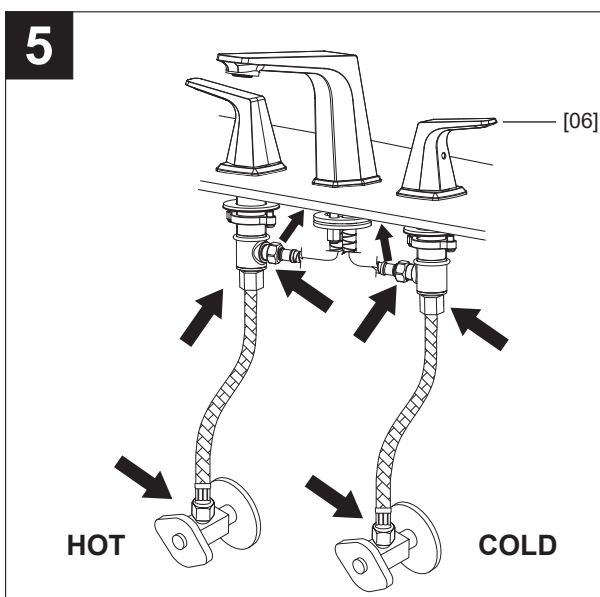
STEP 3:

Connect the **Hoses [16]** to the outlets of **Valve Assembly [09]**.



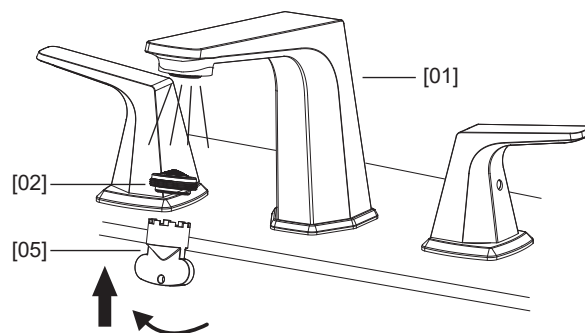
STEP 4:

Use hoses or copper tubes (NOT PROVIDED) to connect the inlets of **Valve Assembly [09]** and the Hot and Cold water supplies. Hand tighten the nuts and tighten with wrench to secure.

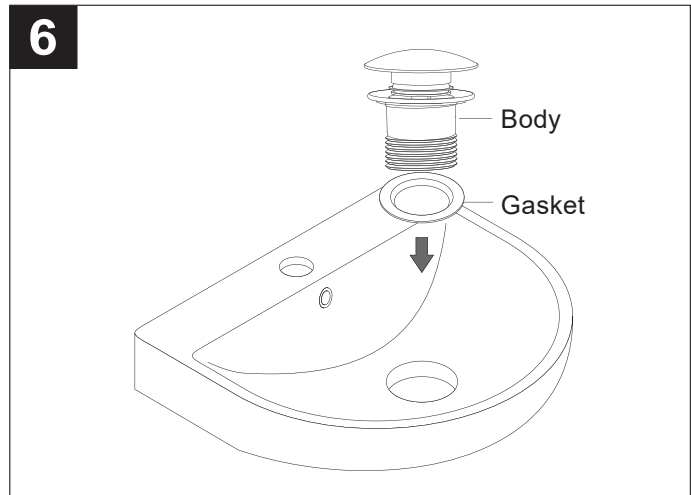
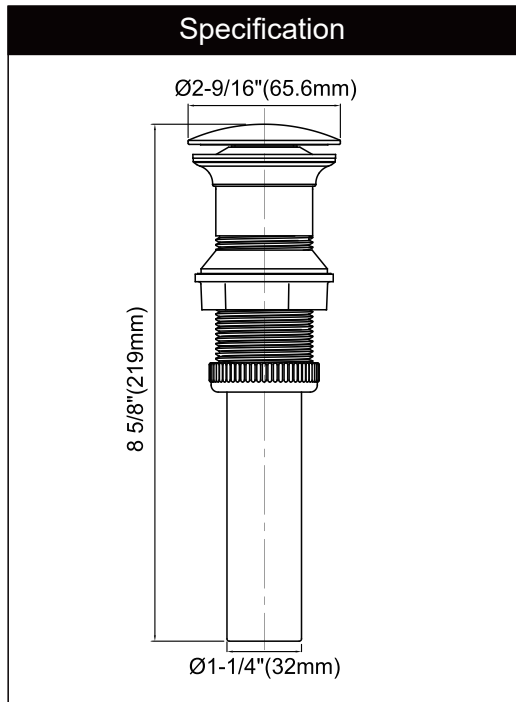


STEP 5:

1. Turn on hot and cold water supplies and turn the **Handles [06]**, then check all connections at arrows for leaks. Retighten if necessary, but Do Not Overtighten.
2. Using the **Key [05]**, remove **Aerator [02]** from **Spout [01]**.
3. Turn the **Handles [06]** to full on position and flush water lines for one minute. Reinstall **Aerator [02]** with the **Key [05]**.

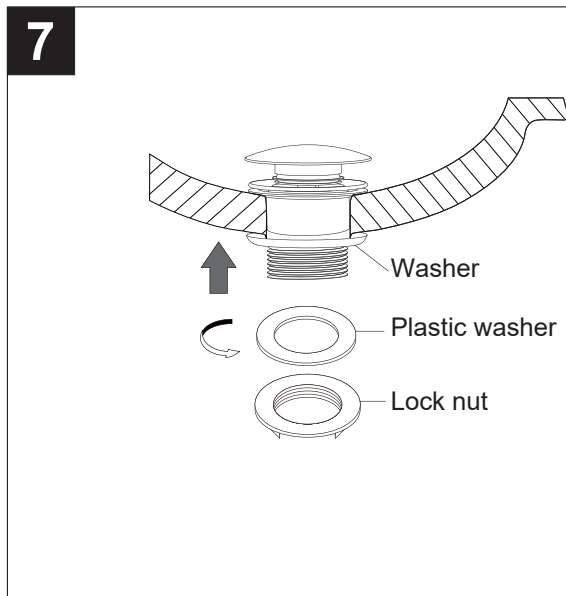


PUSH POP-UP INSTALLATION



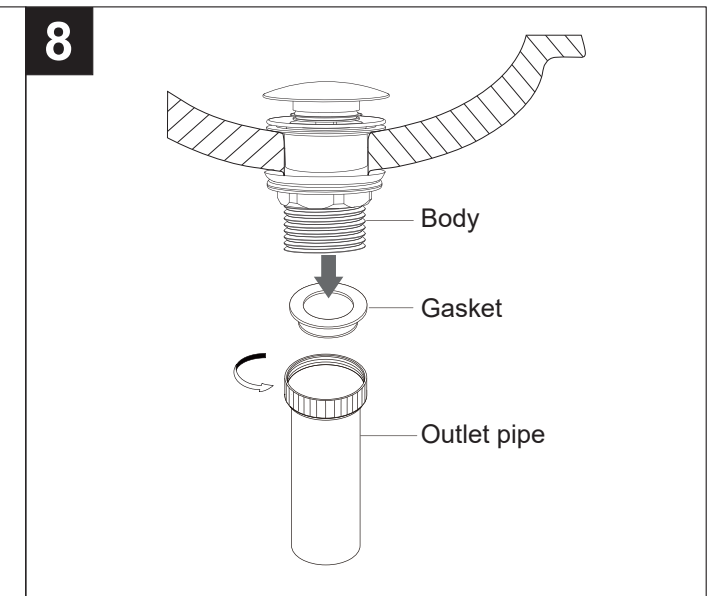
STEP 6:

1. Remove **Body** and **Gasket** from **POP-UP** drain.
2. Install the **Body** and **Gasket** through the drain hole of the sink as shown in Figure 6.



STEP 7:

Slide **Washer**, **Plastic washer** and **Lock nut** up onto the **Body** from under the sink and secure with **Lock nut**.

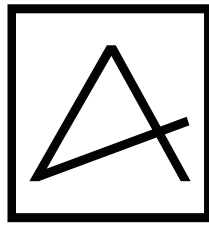


STEP 8:

Install the **Outlet pipe** with **Gasket** up onto the **Body** from under the sink and tighten it securely. Note: Ensure there is a **Gasket** between **Body** and **Outlet pipe**.

CLEANING & MAINTENANCE

1. To preserve the finish on the metallic parts of your ANZZI faucet, apply non-abrasive wax, such as car wax. Any cleaners should be rinsed off immediately.
2. Clean the aerator regularly to remove calcium build-up and any blockages that could reduce water flow.



ANZZI®